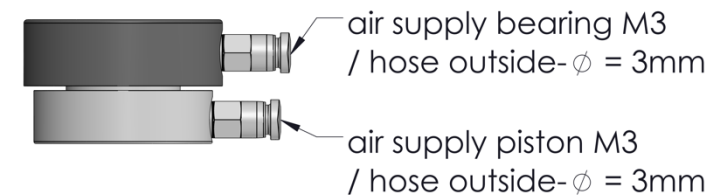
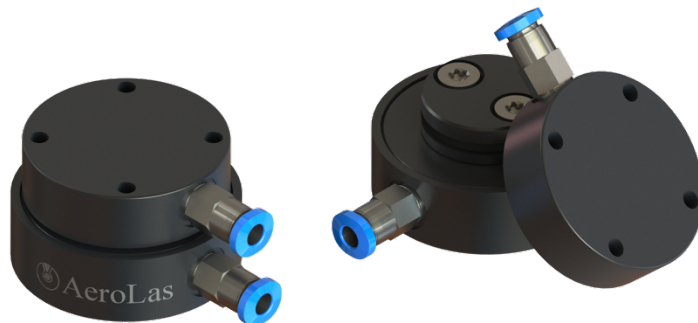
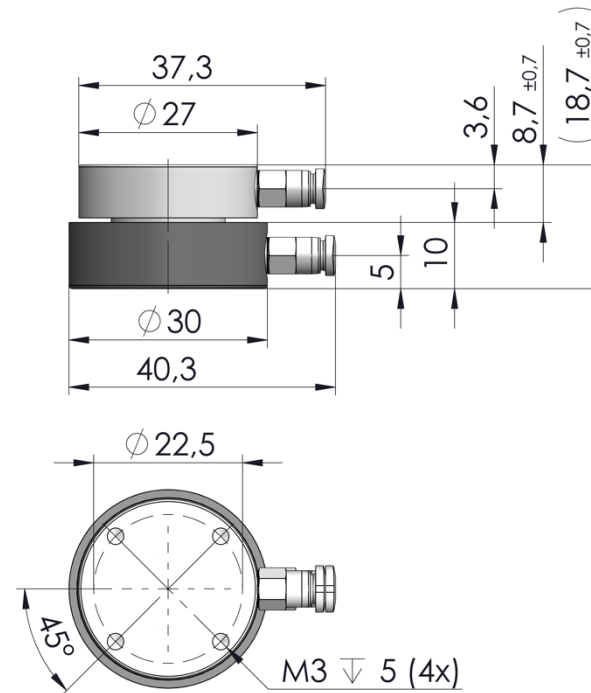


## K30 Flat Round Air Bearing with piston preload

### Technical Details Piston Bearing:

Diameter	30 mm
Air Gap	9.5 $\mu\text{m}$
Stroke Piston	$\pm 0.7$ mm
Air Flow <sup>1</sup>	2.4 sl/min
Weight (with piston)	28 g
Preload Force (@ $p_{\text{Piston}} = 5.0$ bar)	108 N
Relative Preload Force <sup>2</sup>	21.6 N/bar
Air Pressure Piston <sup>1</sup>	max. 8.8 bar
Material / Finish Air Bearing	Aluminum / Hard Anodized
Material Face Surface	Aluminum / Hard Anodized
Order No.:	K30-3 / 147



<sup>1</sup> Specifications at an operating pressure of the air bearing of 5.0 bar.

<sup>2</sup> The pressure of the piston and consequently the preload can be adjusted independently of the supply pressure of the air bearing.