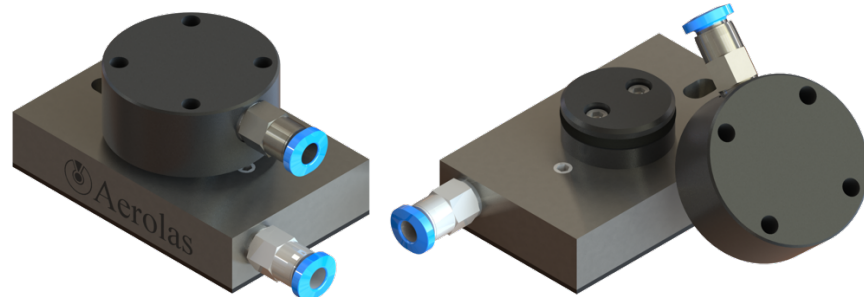
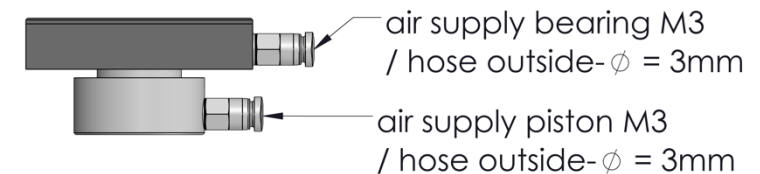
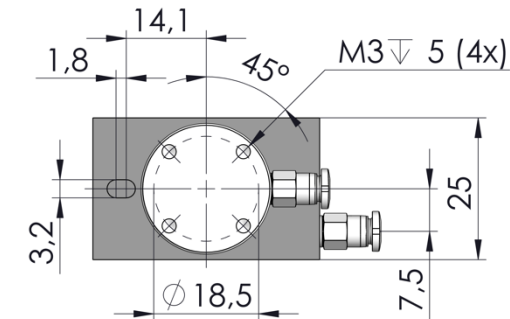
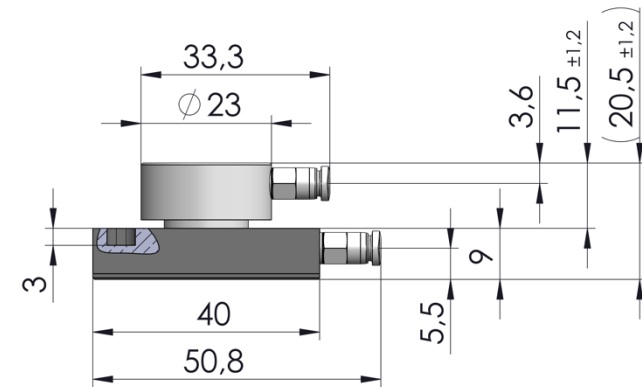


## R40 Flat Rectangular Air Bearing with piston preload

### Technical Details Piston Bearing:

Length   Width	40 mm   25 mm
Air Gap	9.0 $\mu\text{m}$
Stroke Piston	$\pm 1.2$ mm
Air Flow <sup>1</sup>	2.7 sl/min
Weight (with piston)	70 g
Preload Force (@ $p_{\text{Piston}} = 5.0$ bar)	74.5 N
Relative Preload Force <sup>2</sup>	14.9 N/bar
Air Pressure Piston <sup>1</sup>	max. 10.0 bar
Material / Finish Air Bearing	Stainless Steel
Material Face Surface	Epoxy Glide Coating
Order No.:	R40-2 / 226



<sup>1</sup> Specifications at an operating pressure of the air bearing of 5.0 bar.

<sup>2</sup> The pressure of the piston and consequently the preload can be adjusted independently of the supply pressure of the air bearing.