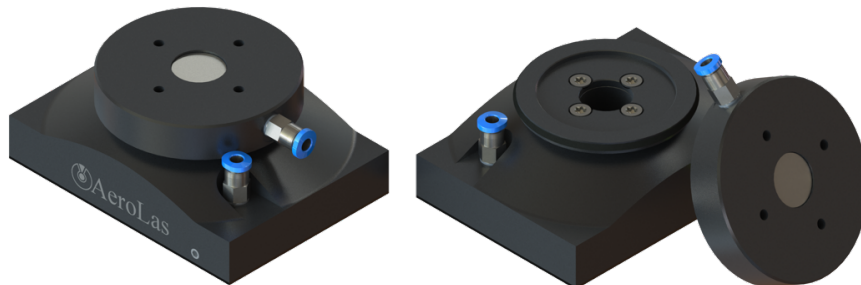
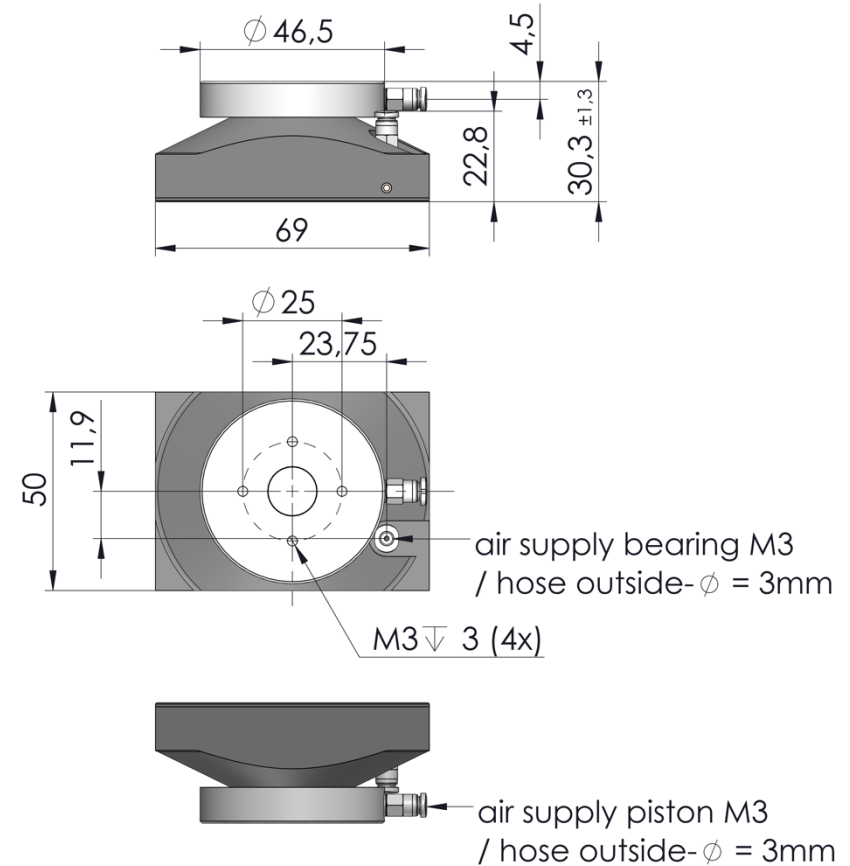


R69 Flat Rectangular Air Bearing with piston preload

Technical Details Piston Bearing:

Length Width	69 mm 50 mm
Air Gap	10 µm
Stroke Piston	±1.3 mm
Air Flow ¹	4.8 sl/min
Weight (with piston)	182 g
Preload Force (@ p _{Piston} = 5.0 bar)	625 N
Relative Preload Force ²	125 N/bar
Air Pressure Piston ¹	max. 8.8 bar
Material / Finish Air Bearing	Aluminum / Anodized
Material Face Surface	Epoxy Glide Coating
Order No.:	R69-2 / 121



¹ Specifications at an operating pressure of the air bearing of 5.0 bar.

² The pressure of the piston and consequently the preload can be adjusted independently of the supply pressure of the air bearing.

Note: Piston is permanently connected to the air bearing and cannot be disassembled.